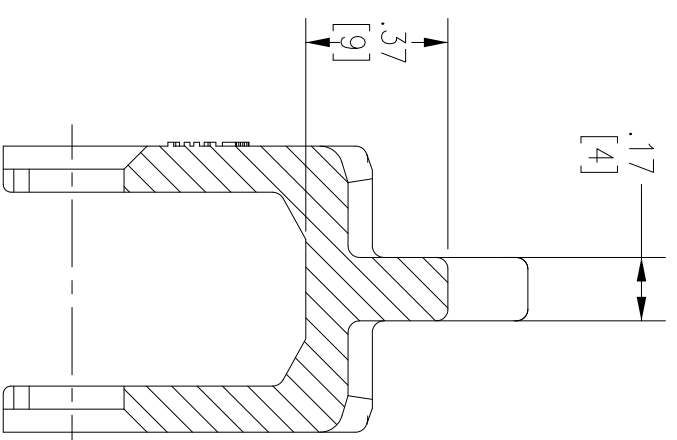
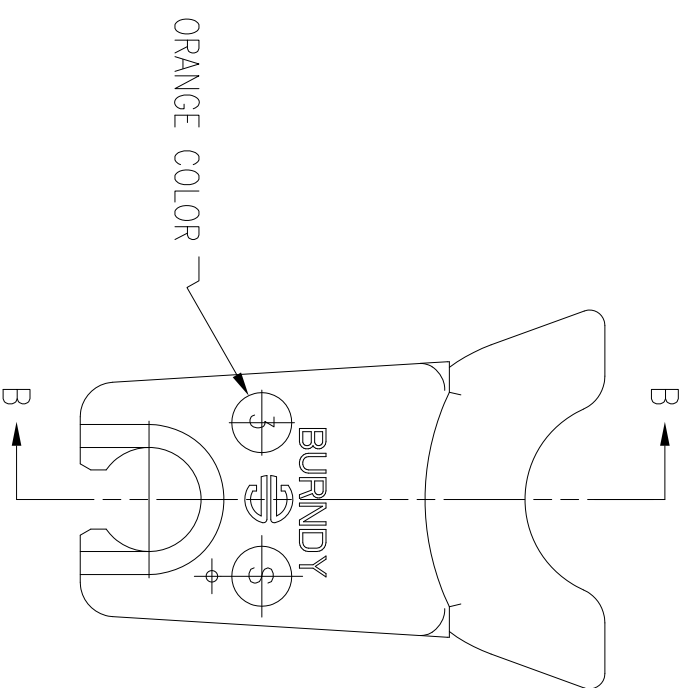
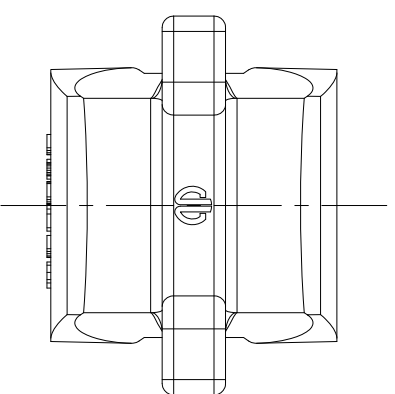
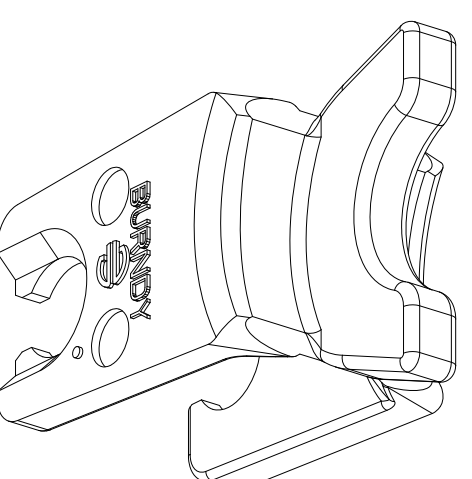
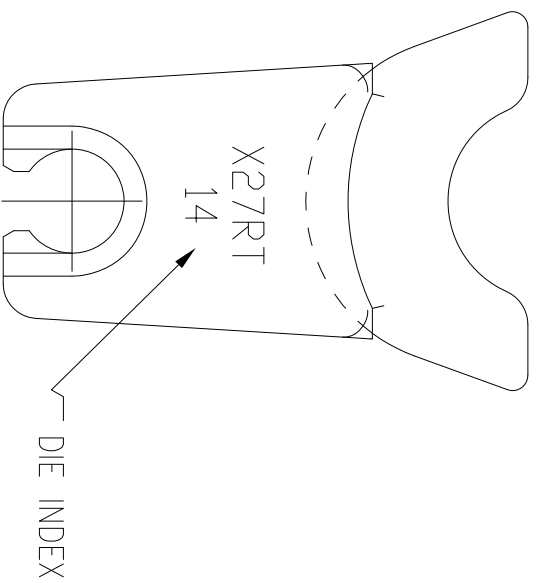


CATALOG NUMBER	DESCRIPTION
HX27RT	3/0, 14 INDEX DIE SET



SECTION B-B



- NOTES:
1. KIT CONTAINS ONE DIE SET.
  2. MATERIAL: STAINLESS STEEL
  3. FITS HOUR840 COMPRESSION TOOL.
  4. SPECIFICATIONS SUBJECT TO CHANGE WITHOUT NOTICE.

Created on AUTOCAD		DIMENSIONING AND TOLERANCE PER ANSI Y14.5M-1994 UNLESS OTHERWISE SPECIFIED, DIMENSIONS ARE IN INCHES (MM). TOLERANCES .XX = ±.01 (.25) .XXX = ±.005 (.127) .XXXX = ±.0025 (.0635) ANGLE TOL ±1°		PROJECT REFERENCE: <b>2011-041</b>		HUBBELL Hubbell Premise Wiring HUBBELL INCORPORATED (Delaware) 23 CLARA DRIVE, SUITE 103 MYSTIC, CT 06355	
IN ACCEPTING OUR DRAWINGS, BLUEPRINTS, OR SUPPORTING DOCUMENTATION FOR QUOTATION OR OTHER PURPOSES, YOU AGREE NOT TO DISCLOSE TO OTHERS THE IDEAS, INFORMATION, OR DESIGNS SHOWN HEREIN, AND THAT YOU WILL MAKE NO USE OF SAME WITHOUT PERMISSION		MATERIAL: SEE NOTES		DRAWN BY: C. GRIBBLE 10/10/12		TITLE: DIE SET, 3/0, 14 INDEX X DIE SET FAMILY	
REV. ECN DATE DESCRIPTION CHG BY APPD BY		1 18025 12/10/12 INITIAL RELEASE MMA		CHECKED BY:		SIZE DRAWING NO. C HWS14179C	
				APPROVED BY:		SCALE: N/A SHEET 1 OF 1	
						REV. 1	